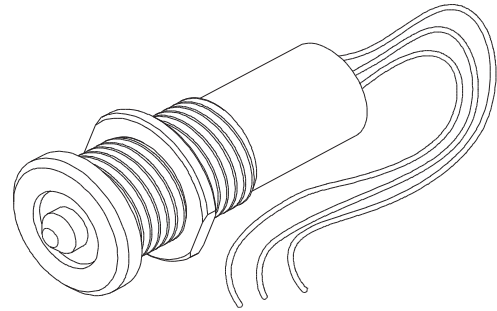


Ref. ST.001

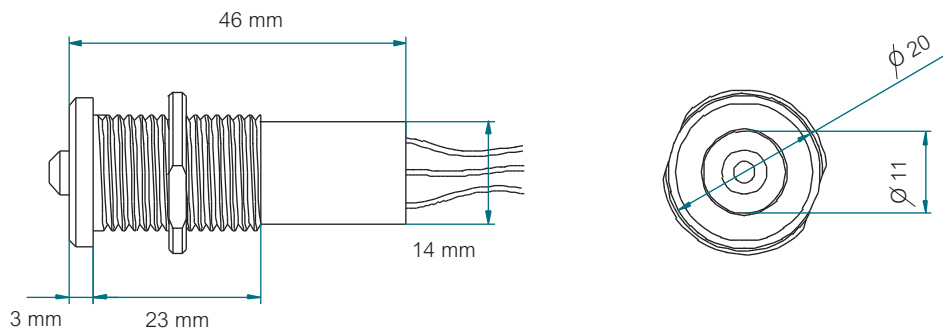
DESCRIPTION

ST.001 is a temperature sensor used to measure the ambient temperature, specially designed to be combined with electrical mechanisms. This feature makes possible the aesthetic integration of the engine with the design line of the rest of mechanisms located in the room. The objective is to fit the temperature sensor ST.001 discreetly in with any family of common market mechanisms especially blind covers.

The power voltage of the temperature sensor ST.001 is provided by aSmart and aSmart Lite systems output voltage, making it easier to install.

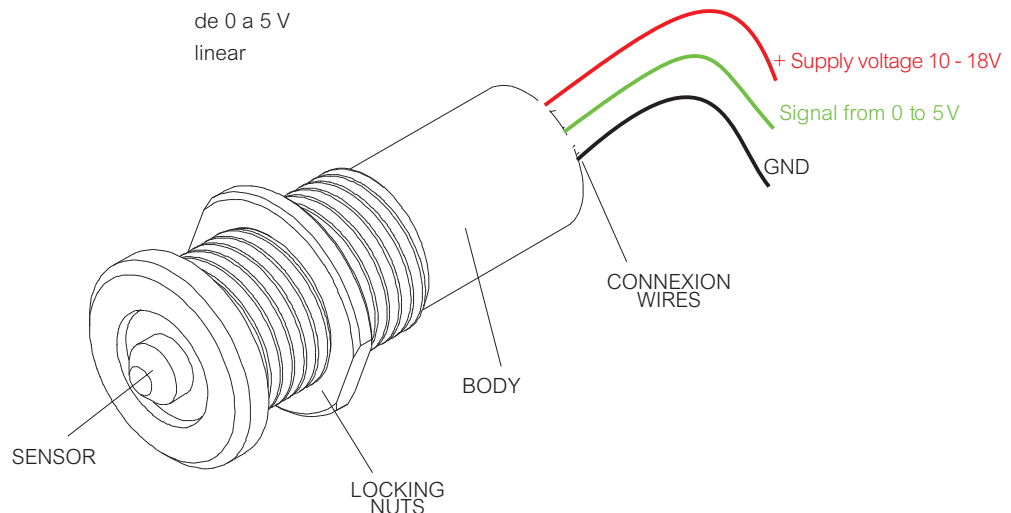


DIMENSIONS



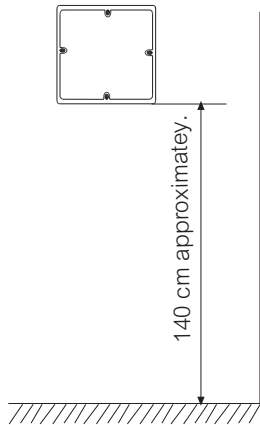
TECHNICAL FEATURES

Supply voltage	10-19V
Consumption	<1mA
Temperature range	de 0 a 50°C
Output signal level	de 0 a 5 V
Type of curve	linear

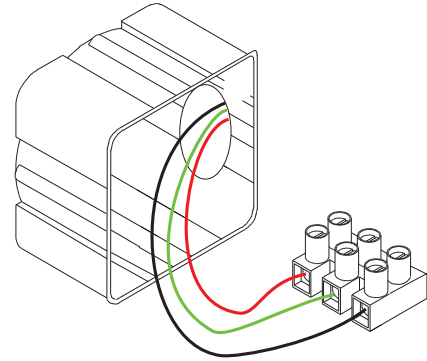


INSTALLATION

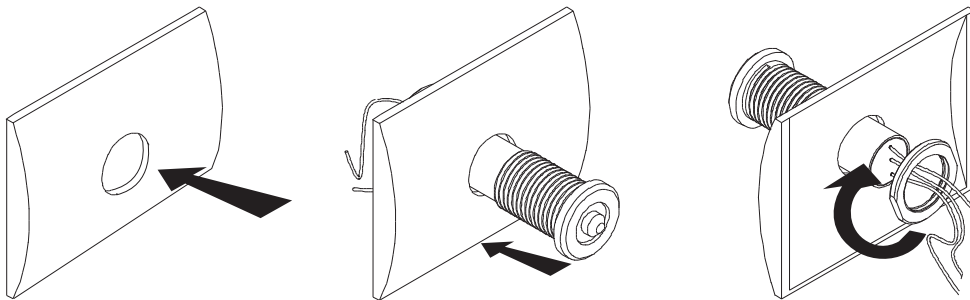
- 1 Hold the universal box for mechanisms on the wall.



- 2 Introduce a round 3-conductor cable (3x0,25 mm²) from aSmart or aSmart Lite to the universal box for mechanisms where we will locate the temperature probe.



- 3 Prepare the mechanism drilling the blind cover using a 16 mm electric drill. Then place the sensor within the box and screw it into the box.



- 4 Connect cables and bending cables correctly assemble cover to the rest of the mechanism.

