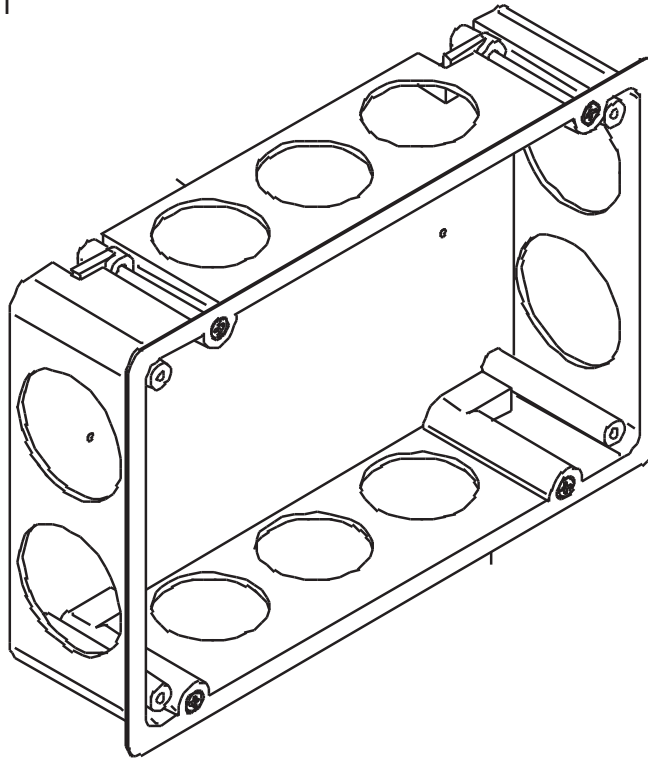
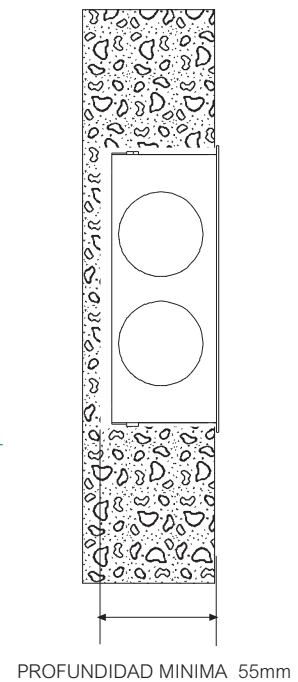
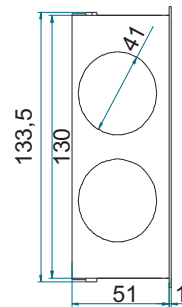
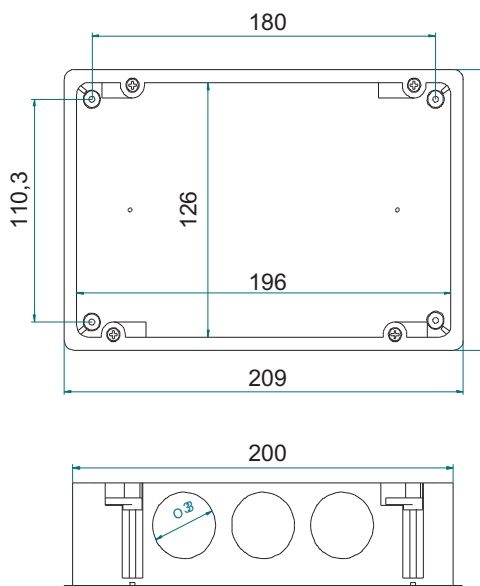


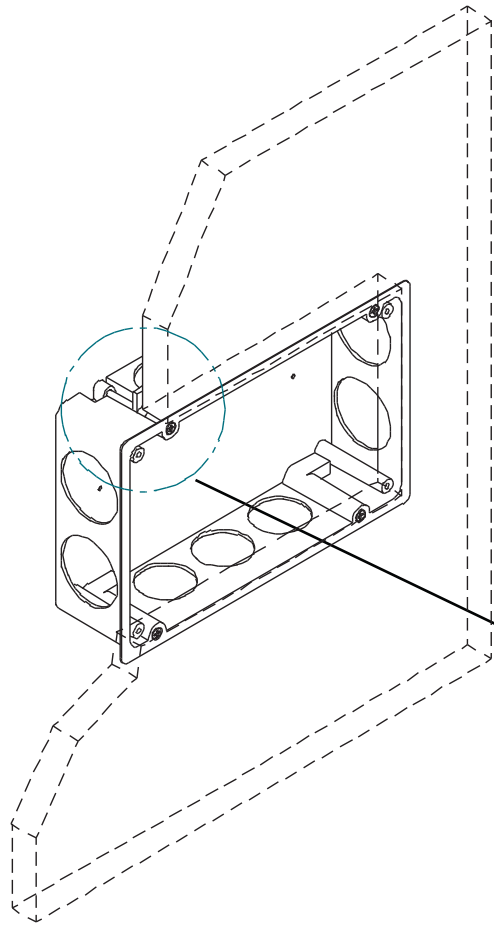
Ref. BO.1001



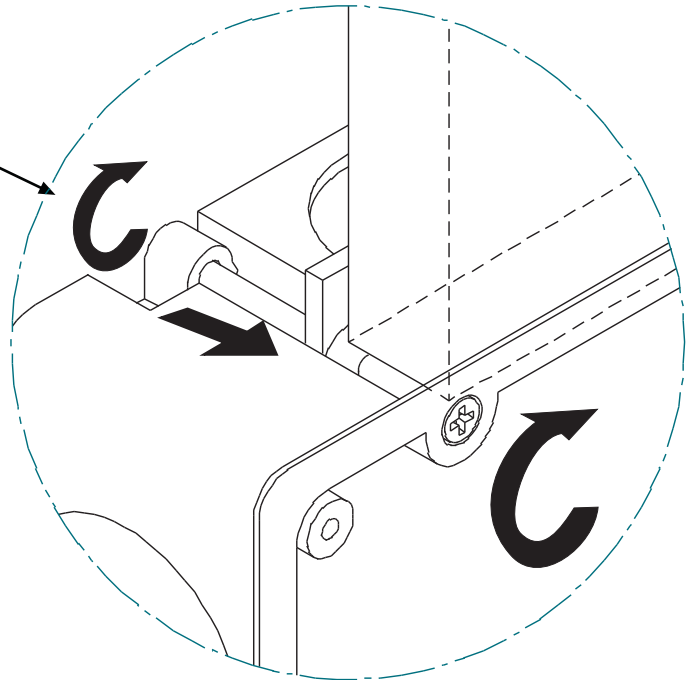
FLUSH MOUNTED BOX DIMENSIONS



INSTALLATION



aSmart flush-mounted box has been designed to be fitted in both in plaster over brick and plasterboard. In the image is shown how to fit a flush-mounted box into a plasterboard wall. To activate the anchoring mechanism, once we have inserted the flush-mounted box into the previously drilled mounting hole, then we have to loosen slightly the screws. The anchoring pieces are then released. Then we tighten screws until noticeable resistance of anchoring pieces against the plasterboard wall. Once the screws are tightened the flush-mounted box is ready.



DETAIL

